



Soccer Goal with Front Post Ground Sleeves Installation Notes

SG824R/SG4956

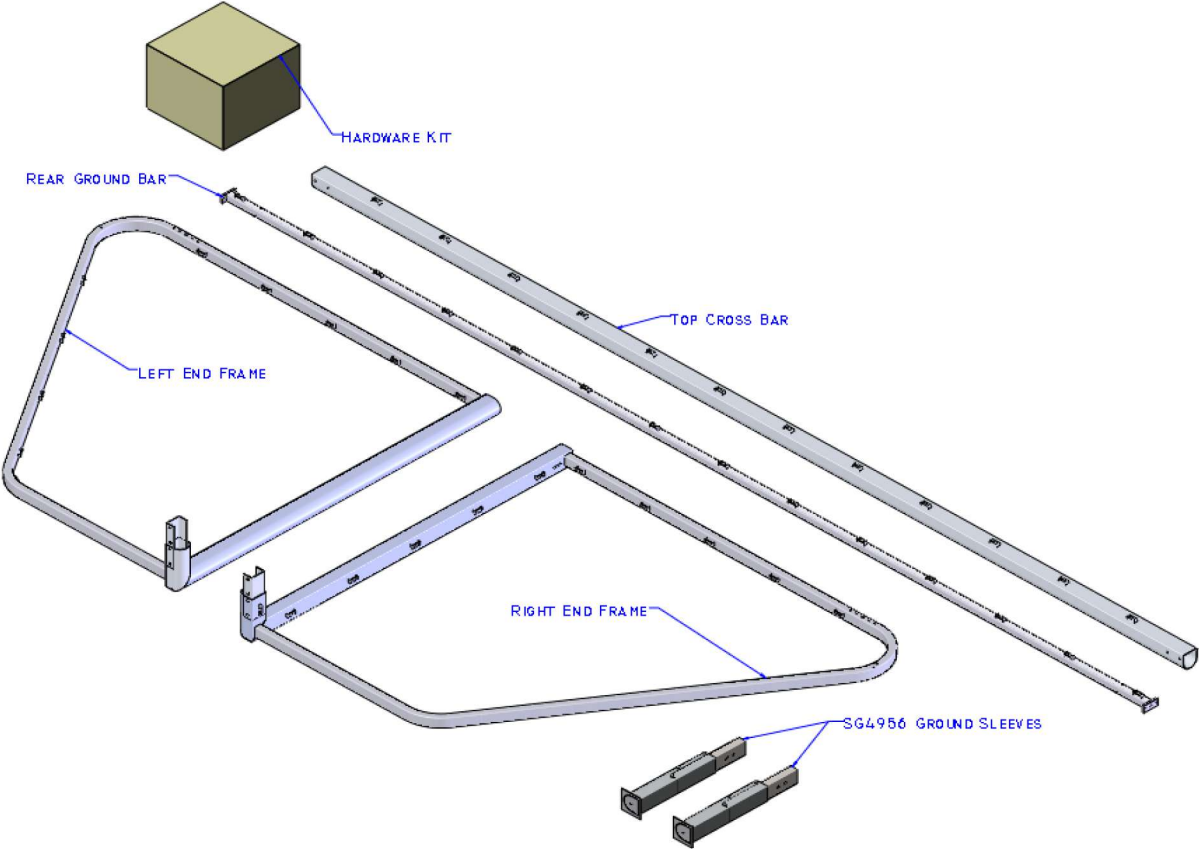


Figure 1

Hardware Parts List:

Part Number	Description	QTY. Per Bag
111-FLW3_8-GALV	3/8" Galv. Flat Washer	8
111-SLW3_8-GALV	3/8" Galv. Lock Washer	4
102-HHC3_8-16X4.5-GALV	3/8-16 X 4.5" Long GALV Hex Bolt	4
108-HXN3_8-16-GALV	3/8-16 Hex Nut, GALV	2
110-FLW1_4-SS	1/4"SS Flat Washer	4
110-SLW1_4-SS	1/4" SS Lock Washer	4
101-HHC1_4-20X1-SS	1/4-20 X 1" Long SS Hex Bolt	4
SG4950-NET	White Soccer Net, 8'H x 24'W x 6'D	1
100-HWH3/8-16X1-SER-CS/BP	3/8-16 X1" SER SS HH Bolt	8

1. Start by laying out the ground sleeves according to the layout, orientate parallel to the field end line (Fig. 2). Each of the front ground sleeves comes as shown (Fig. 3), the flat edge is to face away from the field. Excavate holes for the footings and set the concrete forms. Exact footing requirements will vary based on local building codes and site specific soils reports.

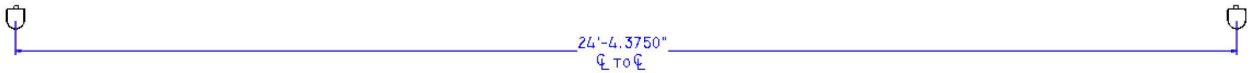


Figure 2

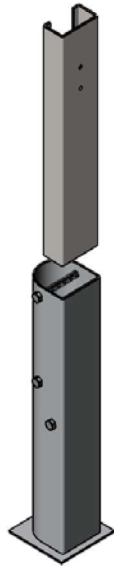


Figure 3

2. Center the ground sleeve in the form and secure it in a plumb and level position. The top of the ground sleeve should be flush with the finish grade. **CRITICAL that the center to center of the ground sleeves is exactly 24'-4.375"** to ensure the goal fits.

3. Begin by laying out all of the soccer goal components. Place the end frames far enough apart to fit the top crossbar between them with the net clips facing outwards. Place one channel at each connection. (Fig. 1).

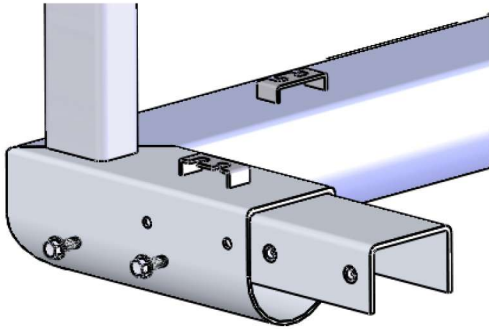
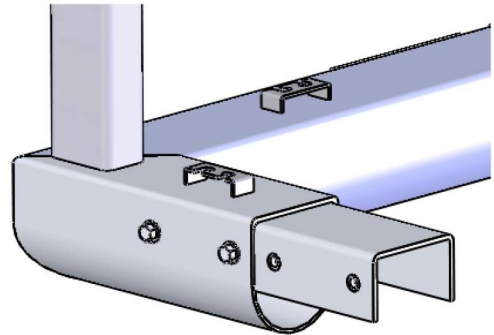


Figure 4A



Outside of Goal

Figure 4B

4. Use (2) $3/8'' - 16 \times 1''$ serrated hex bolts to attach the top bar channel to the inside of each end frame (Figs. 4A & 4B). **Note: Do not tighten hardware until all bolts are in place.**

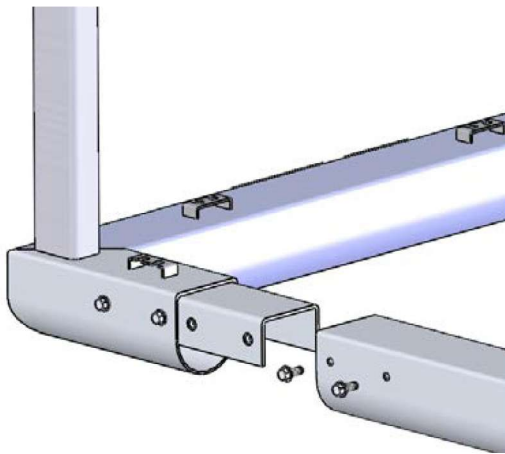
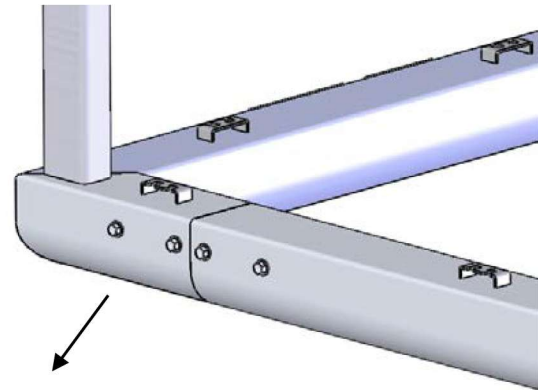


Figure 5A



Outside of Goal

Figure 5B

5. Connect the end frames to the crossbar by sliding the crossbar over the channel (Fig. 5A), confirm all net clips are facing toward the outside of the goal. Use (2) $3/8'' - 16 \times 1''$ serrated hex bolts to attach the crossbar to each end frame (Fig. 5B). Tighten all hardware.

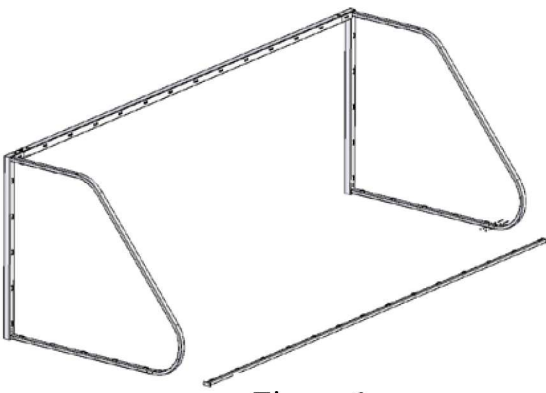


Figure 6

6. Before attaching the ground bar to the goal, carefully flip the goal into the proper position by lifting up on both ends of the crossbar. Place the ground bar between the two end frames (Fig. 6).

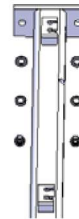
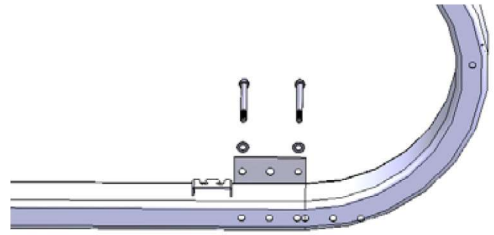
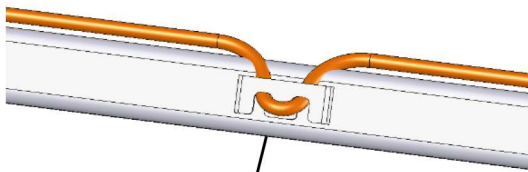


Figure 7

7. Attach the ground bar to the end frames with (2) 3/8"-16 x 4-1/2" bolts, (4) 3/8" flat washers, (1) 4952 (Frame Plate), (2) 3/8" lock washers, and (2) 3/8"-16 hex nuts. Verify the net clips are facing toward the outside of the goal. If football and soccer share an end line, position the ground bar on the inside holes. If soccer and football each have their own end line, position the ground bar on the outside holes. Tighten all hardware (Fig. 7).

8. With the goal now fully assembled, place the net flat on the ground and locate the corners of the net. Locate the centerline of the bound edge that will be attached to the crossbar. The centerline of the binding will be attached to the centerline clip of the crossbar. Lay the soccer goal down on its face, attach the net by first pushing the outer binding through the clip, then securing in the groove (Fig. 8). Start in the middle of the goal and attach every other clip, and then go back through and attach the remaining clips.

Once clipped, apply weight to the clipped net to stretch material. Next, work down both uprights and then back around the End Frame. Follow the same procedure used for the crossbar. Finish by attaching the net to the Ground Bar.



Outside of Goal

Figure 8

9. Install the goal strap from the inside of the goal. Route the strap through the goal clip as shown below (Figure 9) and loop the strap around the goal frame securing the strap to itself. Stretch the goal strap to the other side of the goal and attach as previously done.

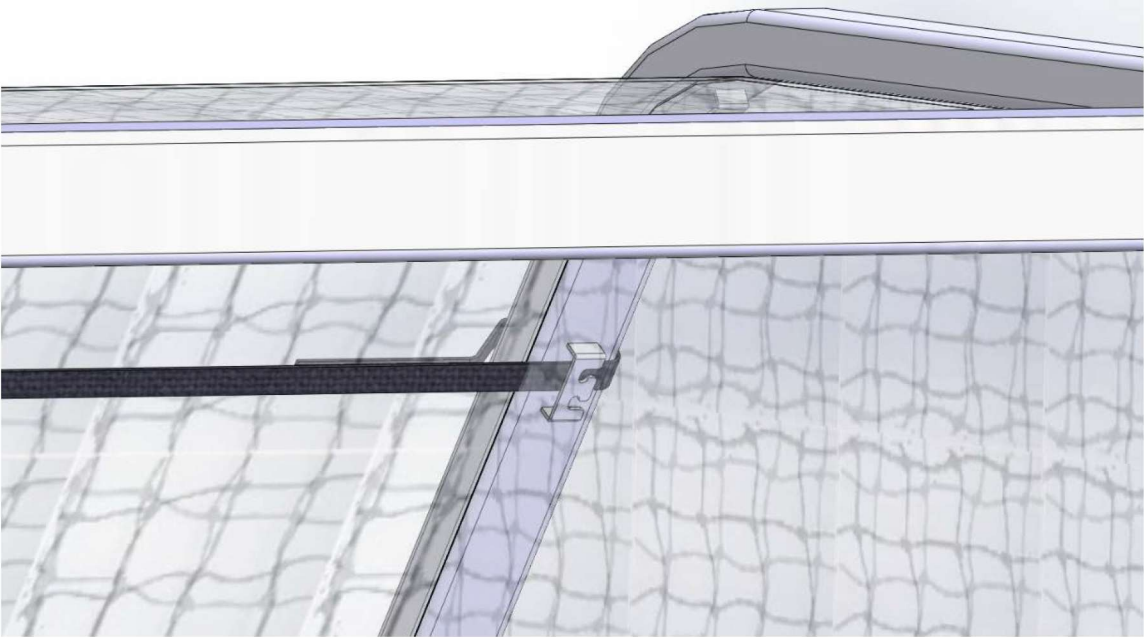
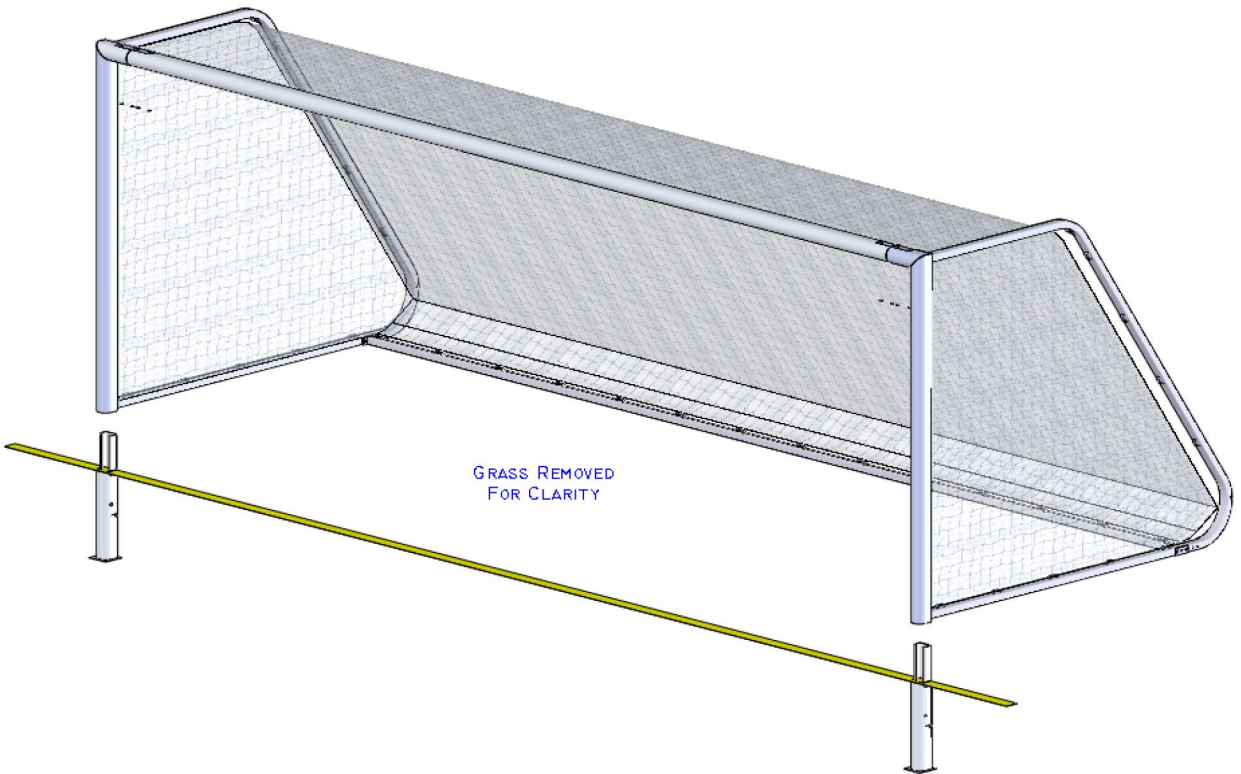


Figure 9

10. Install the fully assembled soccer goal to the pre-installed front ground sleeves. (Figure 10).



Standard Installation Complete

SEE NEXT PAGE FOR VALUABLE SAFETY TIPS RELATED TO SOCCER GOALS

Soccer Goal Safety Tips

- * Remove nets when goals are not in use.
- * Verify structural integrity and check for secure connecting hardware before every use. Replace damaged or missing parts and/or fasteners immediately.
- * NEVER allow anyone to climb on the net or goal framework.
- * Ensure safety/warning labels are clearly visible (placed under the crossbar and on the sides of the front-posts at eye level).
- * Fully disassemble goals for seasonal storage.
- * Exercise extreme caution and provide adequate manpower when moving goals. Only authorized and properly trained personnel should move soccer goals.

REPLACEMENT PARTS

Contact us at 1-401-651-7702 for replacement hardware.



Crossbar, LLC
3140 W 8th Ave
Denver, CO 80204
www.crossbar.life
hello@crossbar.life